

## STAINLESS STEEL WORKTABLES

### ECF-SERIES— FLAT TOP ENCLOSED WORKTABLE W/ UNDERSHELF & CASTERS

PROJECT#: \_\_\_\_\_

ITEM# \_\_\_\_\_

MODEL# \_\_\_\_\_

#### ECONOMY - EECF - SERIES

24" WIDE	QTY	30" WIDE	QTY	36" WIDE	QTY	LENGTH (INCHES)
EECF-2424		EECF-3024		EECF-3624		24
EECF-2430		EECF-3030		EECF-3630		30
EECF-2436		EECF-3036		EECF-3636		36
EECF-2442		EECF-3042		EECF-3642		42
EECF-2448		EECF-3048		EECF-3648		48
EECF-2454		EECF-3054		EECF-3654		54
EECF-2460		EECF-3060		EECF-3660		60
EECF-2466		EECF-3066		EECF-3666		66
EECF-2472		EECF-3072		EECF-3672		72
EECF-2478		EECF-3078		EECF-3678		78
EECF-2484		EECF-3084		EECF-3684		84
EECF-2490		EECF-3090		EECF-3690		90
EECF-2496		EECF-3096		EECF-3696		96
EECF-24102		EECF-30102		EECF-36102		102
EECF-24108		EECF-30108		EECF-36108		108
EECF-24114		EECF-30114		EECF-36114		114
EECF-24120		EECF-30120		EECF-36120		120

#### STANDARD - SECF - SERIES

24" WIDE	QTY	30" WIDE	QTY	36" WIDE	QTY	LENGTH (INCHES)
SECF-2424		SECF-3024		SECF-3624		24
SECF-2430		SECF-3030		SECF-3630		30
SECF-2436		SECF-3036		SECF-3636		36
SECF-2442		SECF-3042		SECF-3642		42
SECF-2448		SECF-3048		SECF-3648		48
SECF-2454		SECF-3054		SECF-3654		54
SECF-2460		SECF-3060		SECF-3660		60
SECF-2466		SECF-3066		SECF-3666		66
SECF-2472		SECF-3072		SECF-3672		72
SECF-2478		SECF-3078		SECF-3678		78
SECF-2484		SECF-3084		SECF-3684		84
SECF-2490		SECF-3090		SECF-3690		90
SECF-2496		SECF-3096		SECF-3696		96
SECF-24102		SECF-30102		SECF-36102		102
SECF-24108		SECF-30108		SECF-36108		108
SECF-24114		SECF-30114		SECF-36114		114
SECF-24120		SECF-30120		SECF-36120		120

#### HEAVY DUTY - HECF - SERIES

24" WIDE	QTY	30" WIDE	QTY	36" WIDE	QTY	LENGTH (INCHES)
HECF-2424		HECF-3024		HECF-3624		24
HECF-2430		HECF-3030		HECF-3630		30
HECF-2436		HECF-3036		HECF-3636		36
HECF-2442		HECF-3042		HECF-3642		42
HECF-2448		HECF-3048		HECF-3648		48
HECF-2454		HECF-3054		HECF-3654		54
HECF-2460		HECF-3060		HECF-3660		60
HECF-2466		HECF-3066		HECF-3666		66
HECF-2472		HECF-3072		HECF-3672		72
HECF-2478		HECF-3078		HECF-3678		78
HECF-2484		HECF-3084		HECF-3684		84
HECF-2490		HECF-3090		HECF-3690		90
HECF-2496		HECF-3096		HECF-3696		96
HECF-24102		HECF-30102		HECF-36102		102
HECF-24108		HECF-30108		HECF-36108		108
HECF-24114		HECF-30114		HECF-36114		114
HECF-24120		HECF-30120		HECF-36120		120

### SPECIFICATIONS:

**ECONOMY— EECF-Series: 400 Series Stainless Top, 400 Series Stainless Body & 400 Series Stainless Undershelf**

**TOP:** 16 GA.  
400 Series Stainless

**SHELF:** 18 GA.  
400 Series Stainless

**BODY:** 20 GA.  
400 Series Stainless

**LEGS:** 1 1/2" Square  
Tubular Stainless Steel

**STANDARD— SECF-Series: 300 Series Stainless Top, 300 Series Stainless Body & 300 Series Stainless Undershelf**

**TOP:** 16 GA.  
300 Series Stainless

**SHELF:** 18 GA.  
300 Series Stainless

**BODY:** 20 GA.  
300 Series Stainless

**LEGS:** 1 1/2" Square  
Tubular Stainless Steel

**HEAVY DUTY— HECF-Series: 300 Series Stainless Top, 300 Series Stainless Body & 300 Series Stainless Undershelf**

**TOP:** 14 GA.  
300 Series Stainless

**SHELF:** 16 GA.  
300 Series Stainless

**BODY:** 18 GA.  
300 Series Stainless

**LEGS:** 1 1/2" Square  
Tubular Stainless Steel

### CONSTRUCTION:

- ◆ All Table Connection Points Fully Welded for Maximum Rigidity and Long Life
- ◆ Sound Deadening Between Top and Reinforcing Channel
- ◆ Offsets on Body Ends for Flush Fit
- ◆ S/S Undershelf Welded to Legs
- ◆ Table is Polished to #3 Finish
- ◆ Working Height 35" to 36 1/4"
- ◆ Casters Rated at 250 Lbs. Each.



○ Amtekco Industries - Columbus, OH —Phone: (800) 336-4677

○ N. Wasserstrom & Sons - Columbus, OH —Phone: (800) 444-4697

○ DCS IV - Peoria, AZ—Phone: (800) 592-3274

○ GEN III - Fountain Inn, SC—Phone: (800)673-3339

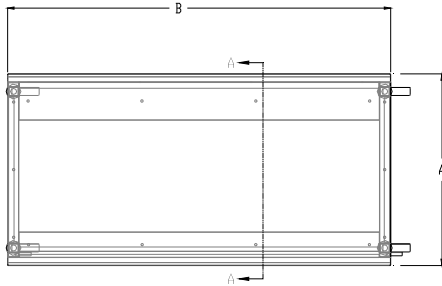
○ GKS - Garland, TX—Phone (972) 485-4579

SPECIFICATIONS SUBJECT TO CHANGE WITHOUT NOTICE 01/09

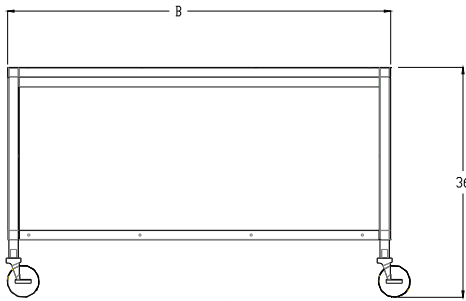
PROJECT#: \_\_\_\_\_

ITEM# \_\_\_\_\_

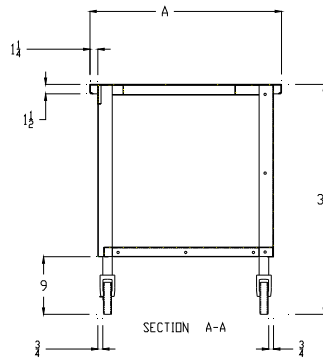
MODEL# \_\_\_\_\_



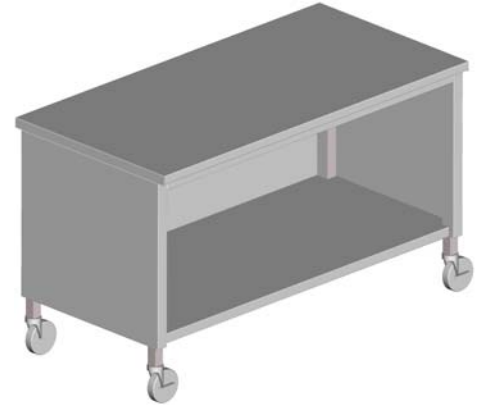
-PLAN-



-ELEVATION-



SECTION A-A



◆ Tables At or Above 78" Will Require (3) Sets of Legs.

A WIDTH	B LENGTH	EECF - SERIES 16 GA. 400 SERIES S/S TOP & 18 GA. 400 SERIES S/S UNDERSHELF	SECF - SERIES 16 GA. 300 SERIES S/S TOP & 18 GA. 300 SERIES S/S UNDERSHELF	HECF - SERIES 14 GA. 300 SERIES S/S TOP & 16 GA. 300 SERIES S/S UNDERSHELF	#Of Legs	Product Weight (lbs)
<b>24" WIDE</b>						
24	24	EECF-2424	SECF-2424	HECF-2424	4	96
24	30	EECF-2430	SECF-2430	HECF-2430	4	118
24	36	EECF-2436	SECF-2436	HECF-2436	4	139
24	48	EECF-2448	SECF-2448	HECF-2448	4	166
24	60	EECF-2460	SECF-2460	HECF-2460	4	194
24	72	EECF-2472	SECF-2472	HECF-2472	4	222
24	84	EECF-2484	SECF-2484	HECF-2484	6	249
24	96	EECF-2496	SECF-2496	HECF-2496	6	277
24	108	EECF-24108	SECF-24108	HECF-24108	6	304
24	120	EECF-24120	SECF-24120	HECF-24120	6	332
<b>30" WIDE</b>						
30	24	EECF-3024	SECF-3024	HECF-3024	4	89
30	30	EECF-3030	SECF-3030	HECF-3030	4	113
30	36	EECF-3036	SECF-3036	HECF-3036	4	136
30	48	EECF-3048	SECF-3048	HECF-3048	4	165
30	60	EECF-3060	SECF-3060	HECF-3060	4	195
30	72	EECF-3072	SECF-3072	HECF-3072	4	225
30	84	EECF-3084	SECF-3084	HECF-3084	6	254
30	96	EECF-3096	SECF-3096	HECF-3096	6	284
30	108	EECF-30108	SECF-30108	HECF-30108	6	313
30	120	EECF-30120	SECF-30120	HECF-30120	6	343
<b>36" WIDE</b>						
36	24	EECF-3624	SECF-3624	HECF-3624	4	114
36	30	EECF-3630	SECF-3630	HECF-3630	4	141
36	36	EECF-3636	SECF-3636	HECF-3636	4	167
36	48	EECF-3648	SECF-3648	HECF-3648	4	199
36	60	EECF-3660	SECF-3660	HECF-3660	4	232
36	72	EECF-3672	SECF-3672	HECF-3672	4	265
36	84	EECF-3684	SECF-3684	HECF-3684	6	297
36	96	EECF-3696	SECF-3696	HECF-3696	6	330
36	108	EECF-36108	SECF-36108	HECF-36108	6	362
36	120	EECF-36120	SECF-36120	HECF-36120	6	395